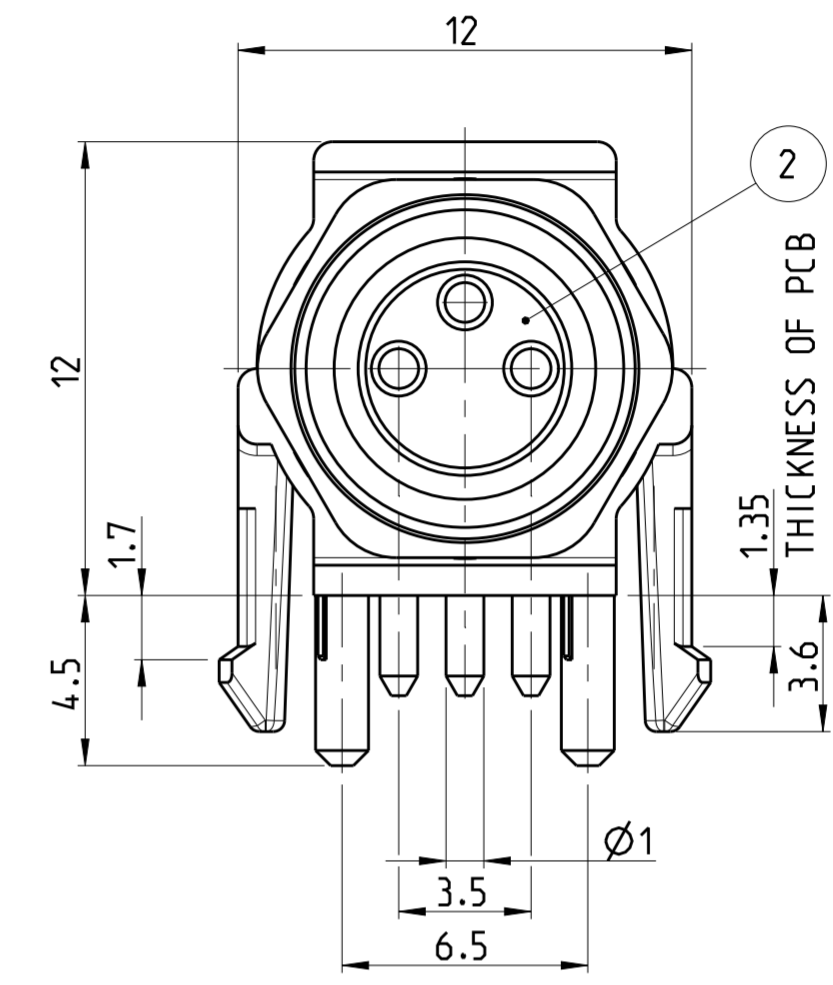
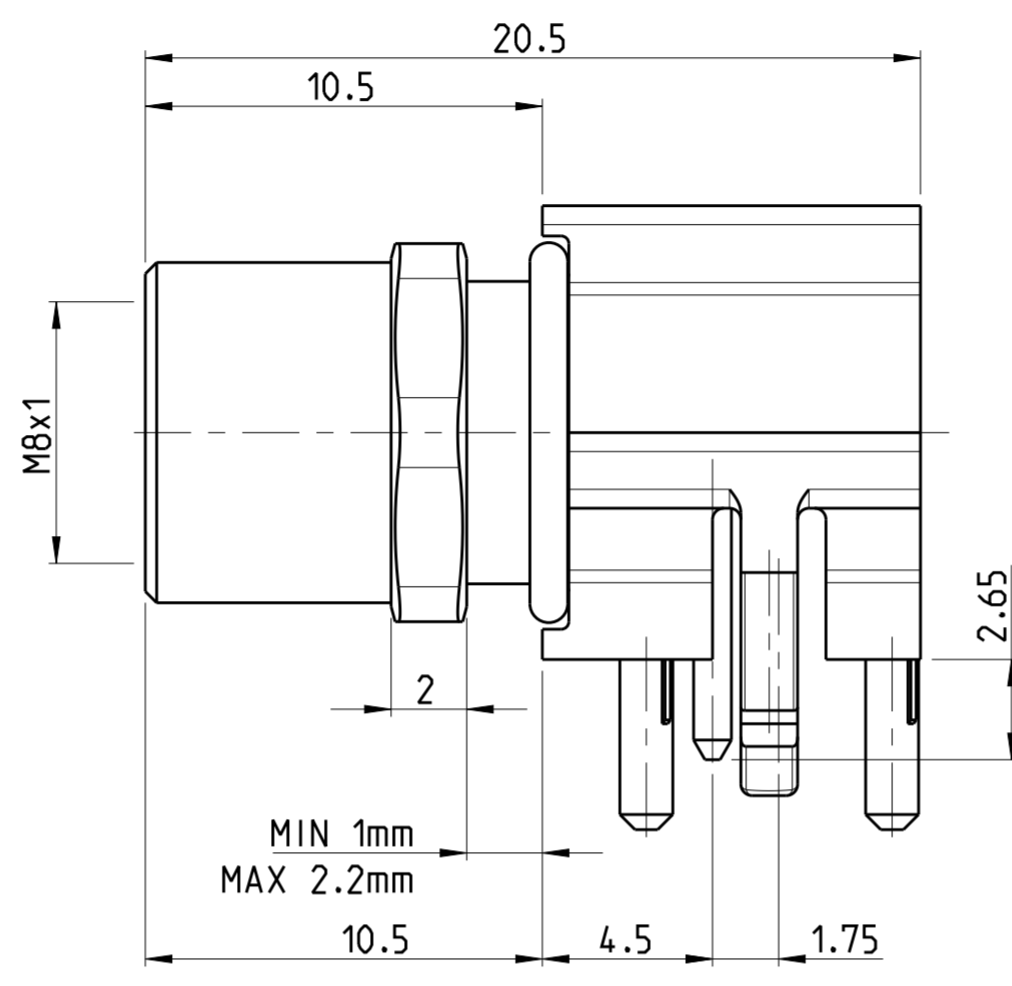


THIS DRAWING IS UNPUBLISHED. VERTRÄULICHE UNVERÖFFENTLICHTE ZEICHNUNG. RELEASED FOR PUBLICATION FREI FÜR VERÖFFENTLICHUNG. 2014. MATED WITH: PASSEND ZU: ALL RIGHTS RESERVED. ALLE RECHTE VORBEHALTEN. © COPYRIGHT 2014 Tyco Electronics AMP GmbH

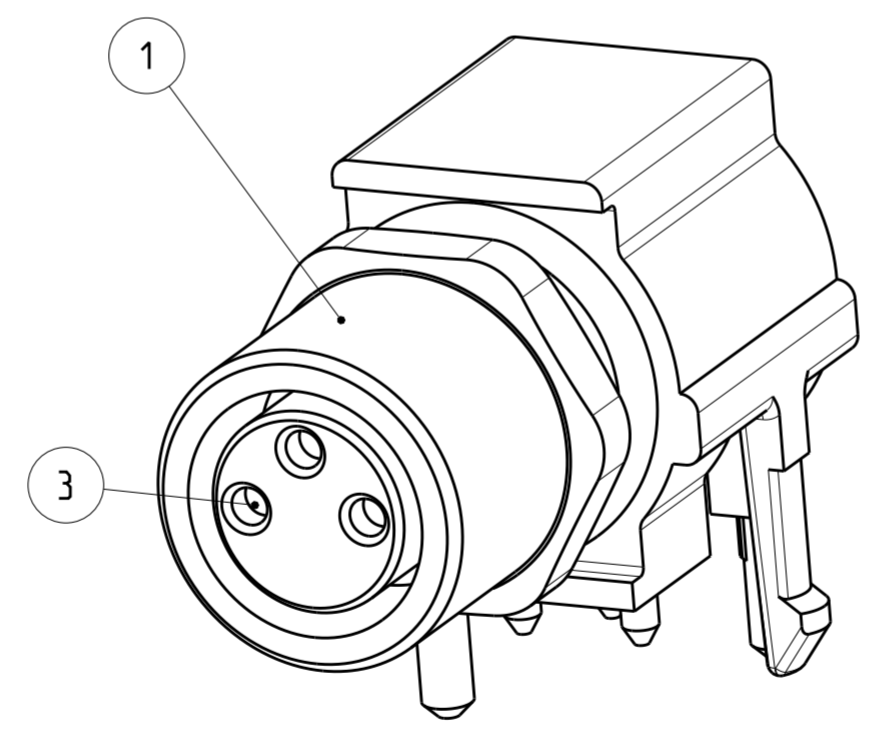
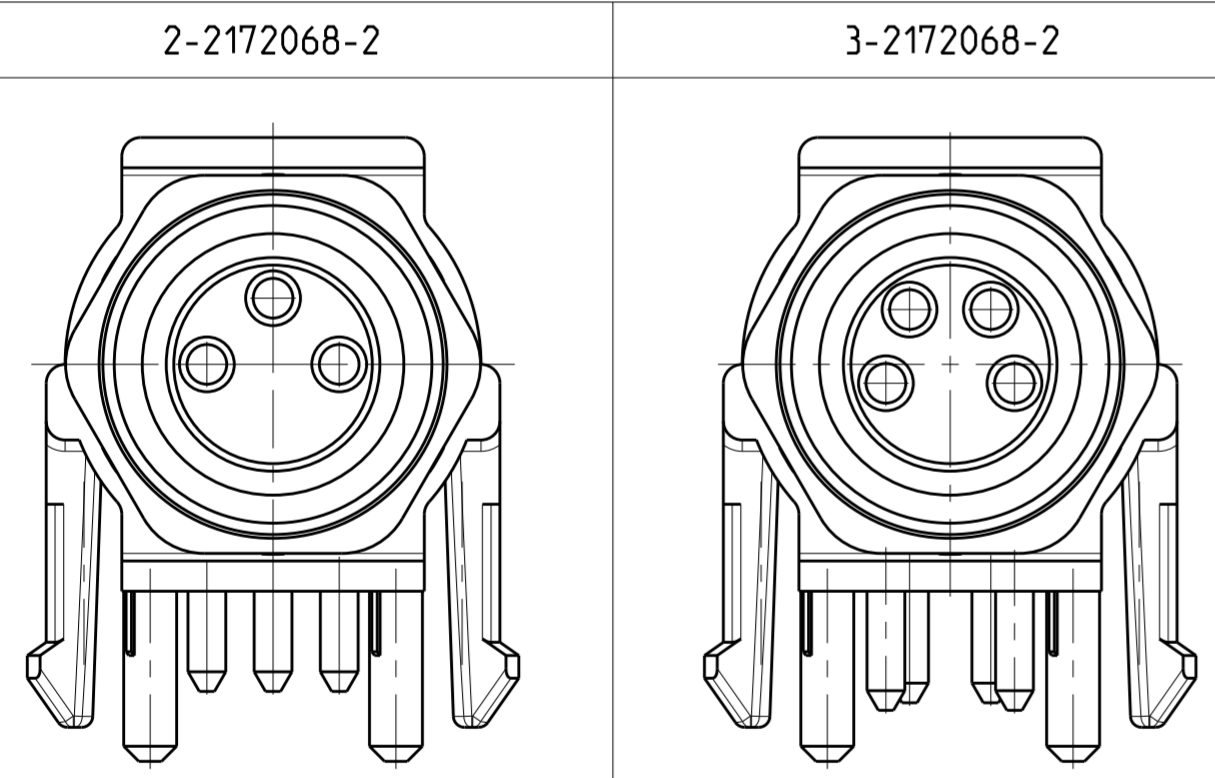
PROJEKT NR.: PRJ-11-000004377

P	LTR	REVISIONS ÄNDERUNGEN DESCRIPTION BESCHREIBUNG	DATE	DWN	APVD
A		NEW RELEASE	04DEC2014	TJ	PS
A1		TEXT CORRECTD FROM M12 TO M8 IN TITLE BLCK	12OCT2015	TJ	NG

TECHNICAL DATA	2-2172068-2	3-2172068-2
RATED VOLTAGE	60V	30V
RATED IMPULSE VOLTAGE	800V	800V
POLLUTION DEGREE	3	3
OVERVOLTAGE CATEGORY	II	II
MATERIAL GROUP	II	II
RATED CURRENT	4A	4A
VOLUME RESISTIVITY	≤ 3mΩ	≤ 3mΩ
DEGREE OF PROTECTION	IP67	IP67
UPPER TEMPERATURE	+85 °C	+85 °C
LOWER TEMPERATURE	-40 °C	+40 °C



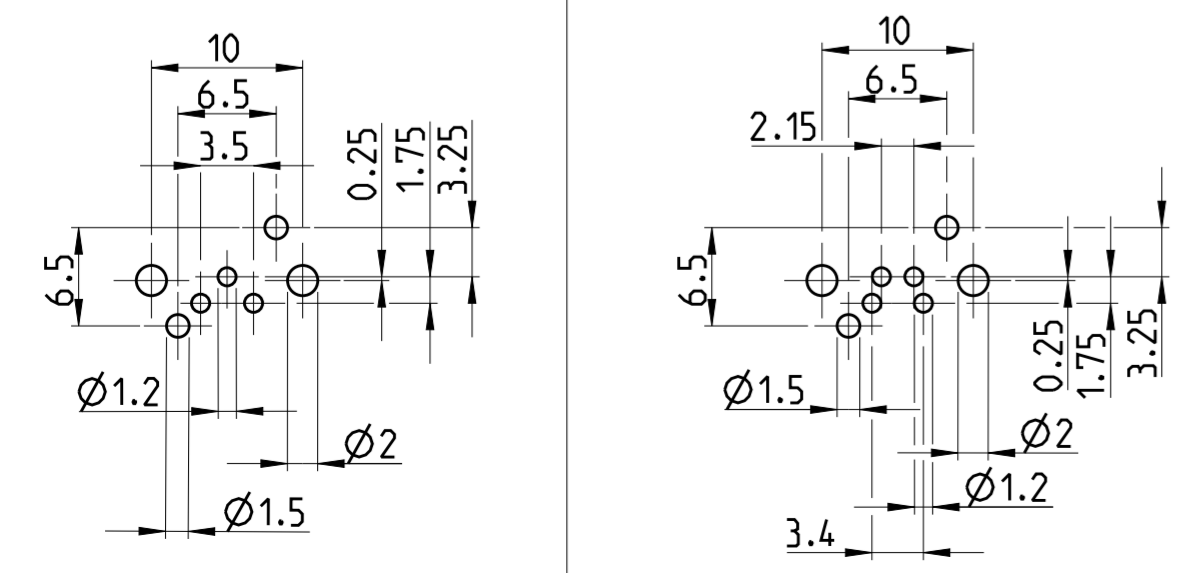
PIN ARRANGEMENT



NOTES:

- 1 MATERIAL: ITEM NO. 1: HOUSING - CuZn (BRASS NICKEL PLATED)
ITEM NO. 2: CONTACT BODY - PA
ITEM NO. 3: CONTACT - CuSn (BRONZE)
CONTACT FINISH - Au (GOLD)
- 2 ALL DIMENSIONS ARE FOR NOMINAL REFERENCE ONLY UNLESS OTHERWISE STATED

CONDUCTOR LAYOUT



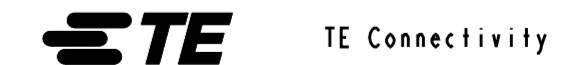
SIZE ISO 14405 (E)

DIESE ZEICHNUNG IST EIN KONTROLLIERTES DOKUMENT. BEMASSUNGEN UND TOLERANZEN GEMAESS GPS (ISO STANDARDS).

THIS DRAWING IS A CONTROLLED DOCUMENT. DIMENSIONING AND TOLERANCING PER GPS (ISO STANDARDS).

DIMENSIONS: MASSE/MAßEN: (MM)	TOLERANCES UNLESS OTHERWISE SPECIFIED: ALLGEMEINTOLERANZEN	DWN YASHKUMAR 25 JUL 2014
		CHK M. BRUBAKER 25 JUL 2014
		APVD M. BRUBAKER 25 JUL 2014
		NAME M8 RECEPTACLE, FEMALE, PCB MOUNT, ANGLED
		PRODUCT SPEC 108-19483
		APPLICATION SPEC 114-32127
MATERIAL	SEE NOTES	WEIGHT -
SEE NOTES	SEE NOTES	Customer Drawing

4	3-2172068-2	
3	2-2172068-2	
MATERIAL	NUMBER OF POLES	TE-PART-NO.



SIZE A2	CAGE CODE 00779	DRAWING NO. ZEICHNUNGS-NR. C-2172068	RESTRICTED TO NUR FÜR -
SCALE MASSSTAB 2:1	SHEET BLATT 1	OF VON 1	REV A1